

Part number

CAVT 50.6



Brief description:

hoods for two levers, size "66.40", side entry, 1" NPT, metal version, IP66

Product description

Version	metal version
Series	hoods for two levers
Product type	with 4 pegs
Variant	side entry
Style	high construction
Family	CLASS enclosures
Size	size "66.40"

Technical data

Material	metal
IP degree of protection	IP66 (and IP69K DIN 40050 - 9)
Cable entry	1" NPT

Further technical details

Weight	270,00 g
--------	----------

Approvals / Standards

Quality mark	 (type:4/4X/12),  , EAC
Conformity	CQC, CE

General ordering information

EAN13 code	8015747010870
Tariff number	85369095

Packaging Information

Packaging length	208,00 mm
Packaging height	140,00 mm
Packaging width	290,00 mm
Packaging weight	2,70 kg
Packaging volume	8,44 dm ³
Packaging description	Carton box
Packaging quantity	10 Pcs
Packaging EAN code	8015747010887
Sub-packaging weight	1,35 kg
Sub-packaging description	Plastic packaging
Sub-packaging quantity	5 Pcs
Sub-packaging EAN barcode	8015747238854

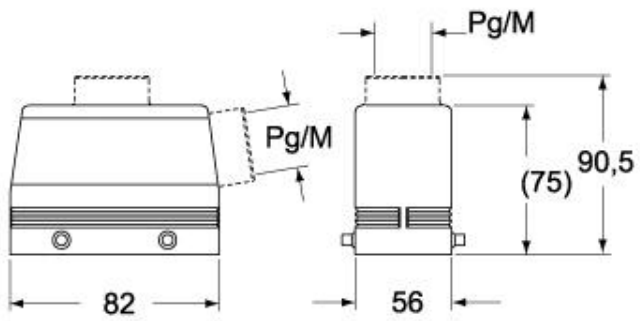
Part number

CAVT 50.6



Catalogue drawings

CHO (CAO) CAV - MHO (MAO/MFO/MFV) MAV



CAV G - MAV G (MFV G)

